

Rockfon® Infinity™ CDX/SCD

Features & Benefits

- Finish edge trim for interior installations of concealed and semi-concealed edge, suspended ceiling panels
- Available in Straight Standard profile or Razor profile
- Pre-finished in straight lengths with square cut or mitered ends
- Variety of finish options available
- Integrates with Chicago Metallic® 15/16" Ceiling Suspension, Rockfon CDX/SCD Stone Wool Ceiling Panels and industry standard T-Bar grid

Applications

- CDX/SCD ceiling projections
- CDX/SCD free-floating islands
- CDX/SCD ceiling height transitions



Project – ROCKWOOL North American offices in Milton, Ontario
Product – Rockfon® Infinity™ CDX/SCD



Rockfon® Infinity™ CDX/SCD

LEED® V4 HIGHLIGHTS

Materials and Resources (MR)

- Waste Management Planning ✓
- Interiors Life Cycle Impact Reduction ✓
- Environmental Product Declarations ✓
- Sourcing of Raw Materials ✓
- Material Ingredients -
- Waste Management ✓

Indoor Environmental Quality (EQ)

- Low-Emitting Materials ✓
- Interior Lighting -
- Acoustic Performance -

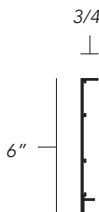
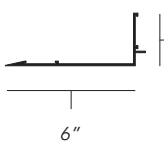
Recycled Content: up to 85%

Product Code Example: **252565:INFE:CDR:6:01:AL**

Family Number & Name: 252565 Infinity™ Straight Face Dimension: 6" Material: Extruded Aluminum

252565:INFE: **CDR:** **6:** **01:** **AL**

Detail: Infinity™ CDX/SCD Razor Profile Color: White

Family Number & Name	Detail	Dimension / Face Dimension	Material	NRC	Fire Class	Light Reflectance	Low VOC
252565:INFE: Infinity™ Straight	CDX: Infinity™ CDX/SCD Straight Standard Profile 	6: 5-13/16" actual	AL: Extruded Aluminum	-	A	-	✓
	CDR: Infinity™ CDX/SCD Razor Profile 	6: 6"					

Note:

- Available in straight, standard 12' lengths or designer specified lengths.
- Square cut ends standard. Factory-cut miters available.
- Unpainted, galvanized Grid Clip and Splice Plate included with trim.

Choose from the above product options to build your product code

Family Number & Name	Detail	Dimension / Face Dimension	Color*	Material
252565:INFE:		6:		AL

* Select one of our many color options, located on page 3

Note:

- Trim painted on outer surface or 360°.

Standard colors:



01 White



08 Black



44 Satin Silver



888
Winchester
Grey

Premium colors:



Color-all



Custom
(color match)

Metallic colors:



795
Champagne
Metallic



796
Beige
Metallic



797
Iron Glimmer
Metallic



798
Copper
Metallic

Metalwood® Woodgrain Finishes:
(Shown for reference only - See footnote **)



650R
Maple**



651R
Cherry**



652R
Pumpkin
Maple**



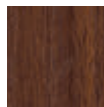
653R Oak**



654R Karri**



655R
Bamboo**



656R
Walnut**



401 Maple*



402 Oak*



403 Cherry*



404 Pumpkin
Maple*



405 Karri*



406 Walnut*

Woodscenes® Painted Finishes†:



800
Lazy Maple



801
Aged Teak



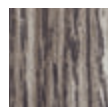
803
Burnished
Cherry



804
Sleek Cherry



805
Weathered Oak



806
Barnwood
Grey

* Coordinating solid color to match Metalwood Woodgrain Finishes.

** Metalwood Woodgrain Finishes not available for Rockfon Infinity; use coordinating solid color. See footnote *.

† Woodscenes Painted Finishes are a decorative powder coat finish that replicate real wood; variations in color and pattern will occur.

Note:

- Woodscenes grain direction is parallel to the length of the trim.
- See rockfon.com for more information on color options.

Colors shown are reproduced as close as possible to actual product color within the limitations of printing technology. Color chips are available upon request and should be reviewed before making a final selection. Variations in color matches of system components to ceiling panels can result from slight differences in texture, room lighting, painting process and subjectivity of observers.

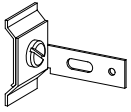
Infinity CDX/SCD Suspension

Infinity CDX/SCD Straight Standard Profile and
Infinity CDX/SCD Razor Profile are compatible with:

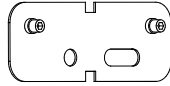
- Chicago Metallic 15/16" Ceiling Suspension systems
- Industry standard T-Bar grid systems

See data sheets of Chicago Metallic 15/16" Ceiling Suspension systems for more information.

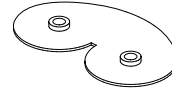
Infinity CDX/SCD Accessories



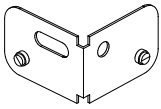
Grid Clip
(suspension to
Infinity Trim)
(Galvanized)
249361
430.00



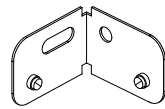
Splice Plate
(for square cut edge)
(Galvanized)
249358
414.00



Horizontal Splice Plate
(multi-angle)
(Galvanized)
249368
447.00



Corner Splice Plate
(Inside Corner)
(Galvanized)
249359
417.00



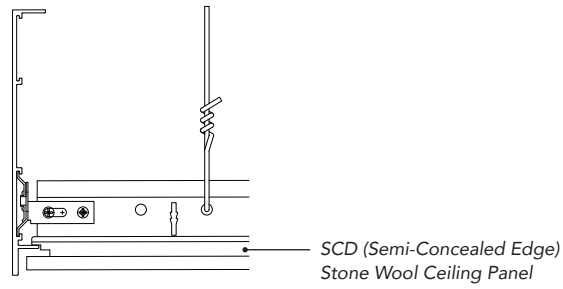
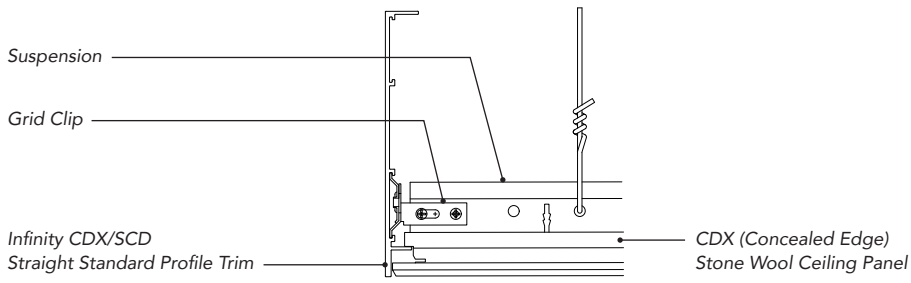
Corner Splice Plate
(Outside Corner)
(Galvanized)
249360
429.00



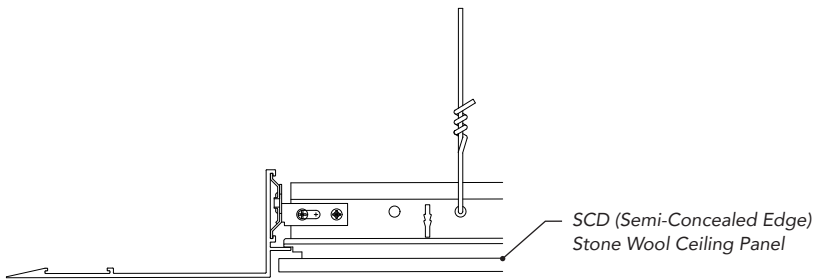
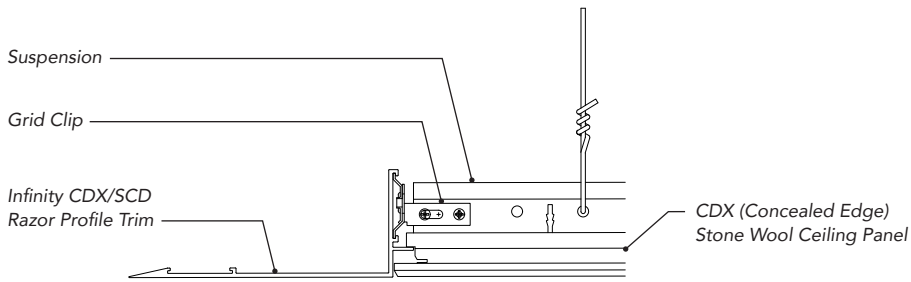
CDX/SCD Border Clip
(panel support edge clip)
(Galvanized)
210901
472.00

Infinity CDX/SCD Standard Detail

Suspension to Infinity CDX/SCD Straight Standard Profile

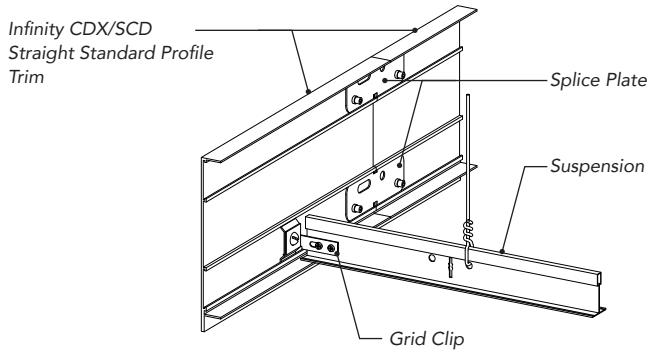


Suspension to Infinity CDX/SCD Razor Profile

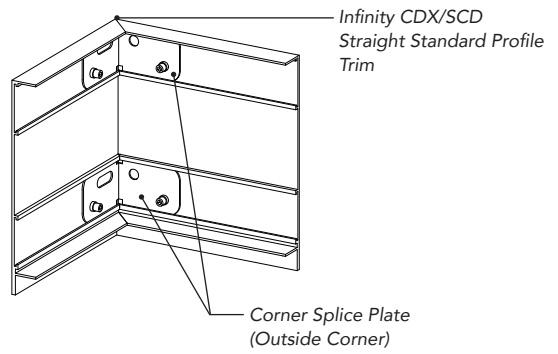


Infinity CDX/SCD System Details

Suspension to Infinity CDX/SCD Straight Standard Profile and Splice Plate (square cut edge)

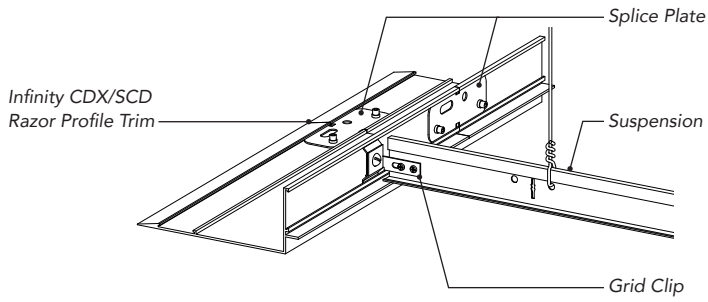


Outside Corner CDX/SCD Straight Standard Profile (Inside Corner similar)

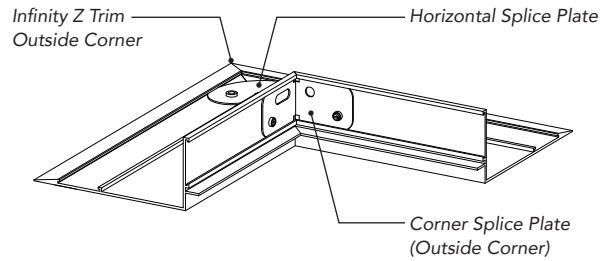


Note:
- Corners with an angle equal to or less than 40° must be truncated.

Suspension to Infinity CDX/SCD Razor Profile and Splice Plate (square cut edge)



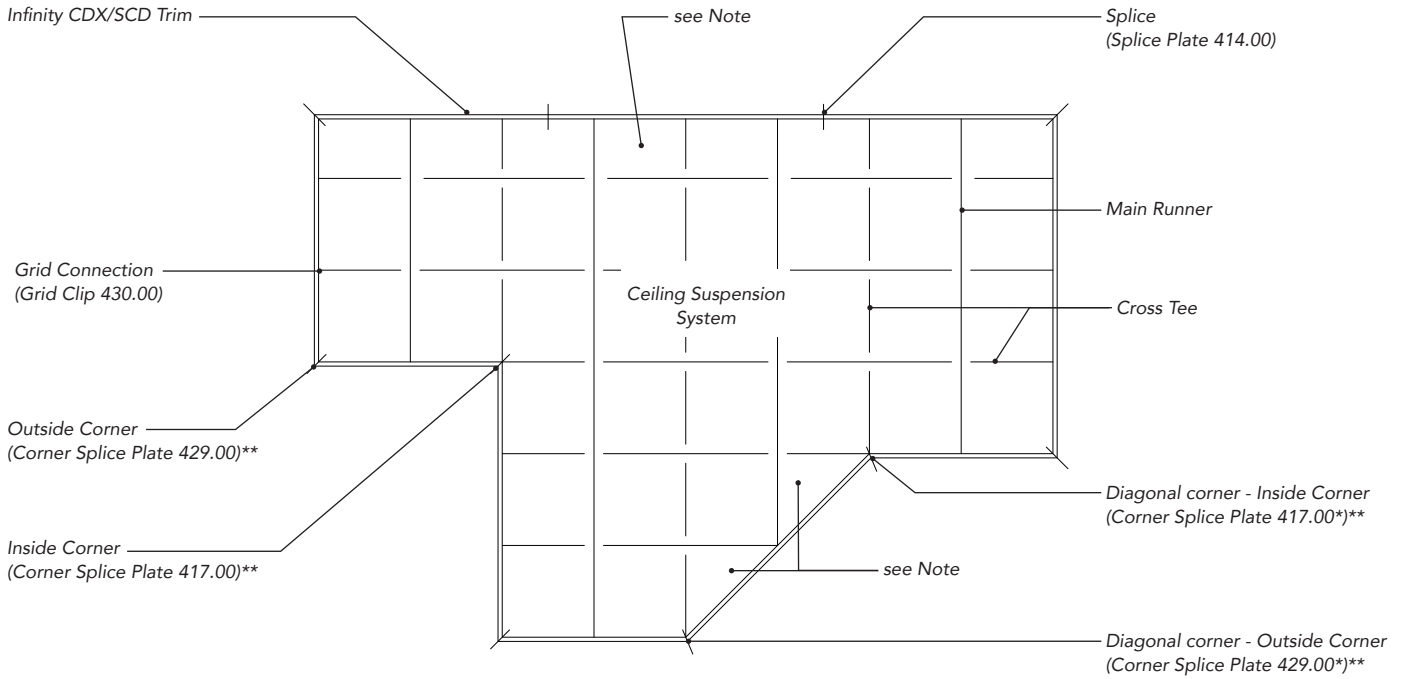
Outside Corner CDX/SCD Razor Profile (Inside Corner similar)



Note:
- Factory mitered corners available: minimum 45° and maximum 135°.

Infinity CDX/SCD System Details, continued

Reflected Ceiling Plan Example



* Field modify Corner Splice Plate to achieve desired angle greater than or less than 90°.
** Infinity Razor Profile corners require one of each: Corner Splice Plate & Horizontal Splice Plate 447.00

- Note:
- For Best Practice - it is recommended that full size panels be used at the perimeter.
 - Install panels toward grid side, not perimeter trim.
 - Field cut perimeter panels should be back cut. See the Rockfon Conealed Acoustical Ceiling Systems Installation Guide for more information.



Material

Extruded Aluminum



Fire Performance

Surface burning characteristics:
UL723 (ASTM E84)
Flame Spread Index: 0
Smoke Developed Index
(UL Labeled): 0



Hygiene

Metal provides no sustenance
to microorganisms



Warranty

1-Year Limited
Product Warranty.
See rockfon.com



Environment

- Up to 85% recycled content
- 100% locally recyclable



Cleaning

- Damp Cloth

080819

Rockfon

4849 S. Austin Ave.
Chicago, IL 60638 USA