

Rockfon® Infinity™ Standard

Rockfon Infinity Pre-Packaged

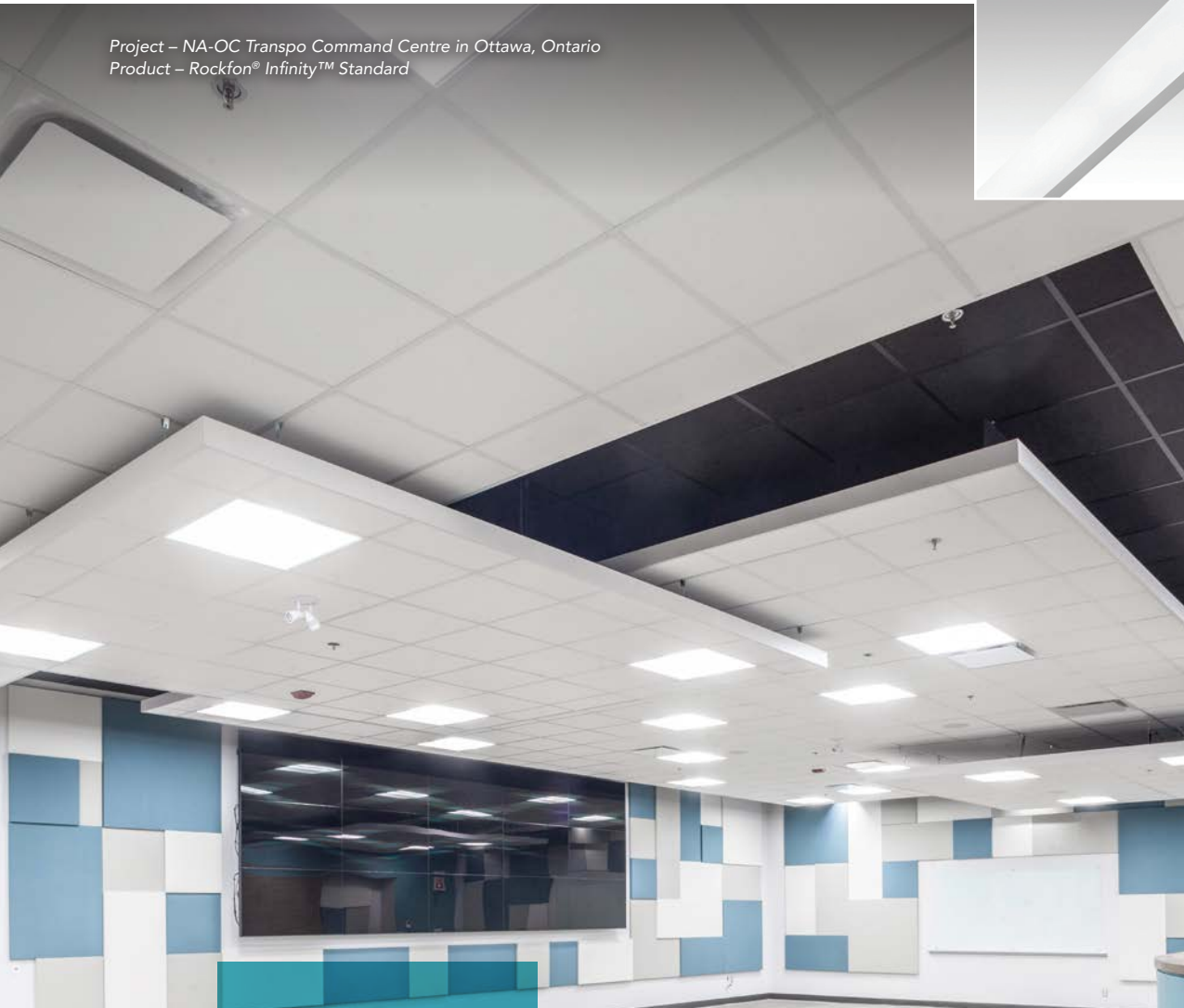
Features & Benefits

- Finish edge trim for interior suspended ceiling perimeters
- Available pre-finished in straight lengths with square cut ends
- Factory Mitered Corner Kits available
- Variety of height and finish options available
- Integrates with Chicago Metallic® Ceiling Suspension, Rockfon Stone Wool Ceiling Panels, Rockfon Metal Ceiling systems and industry standard T-Bar grid

Applications

- Ceiling projections
- Free-floating islands
- Light coves
- Ceiling height transitions

Project – NA-OC Transpo Command Centre in Ottawa, Ontario
Product – Rockfon® Infinity™ Standard



Rockfon® Infinity™ Standard

LEED® V4 HIGHLIGHTS

Materials and Resources (MR)

- Waste Management Planning ✓
- Interiors Life Cycle Impact Reduction ✓
- Environmental Product Declarations ✓
- Sourcing of Raw Materials ✓
- Material Ingredients -
- Waste Management ✓
- Indoor Environmental Quality (EQ)

- Low-Emitting Materials ✓
- Interior Lighting -
- Acoustic Performance -

Recycled Content: up to 85%

Product Code Example: **252427:INFS:STD:10:406:AL**

Family Number & Name: 252427 Infinity™ Standard Dimension: 9-13/16" actual Material: Extruded Aluminum



Family Number & Name	Detail	Dimension (H)	Material	NRC	Fire Class	Light Reflectance	Low VOC
252427:INFS: Infinity™ Standard	STD: Infinity™ Standard Standard Profile 	2: 2-5/32" actual 4: 3-13/16" actual 6: 5-13/16" actual 8: 7-13/16" actual 10: 9-13/16" actual 12: 11-13/16" actual	AL: Extruded Aluminum	-	A	-	✓

Note:

- Available in straight, standard 12' lengths.
- Square cut ends only available.
- Unpainted, galvanized Grid Clip and Splice Plate included with trim. See "Grid Clip and Splice Plate Accessories Chart" on Accessories Page for included quantity.

Choose from the above product options to build your product code

Family Number & Name	Detail	Dimension	Color*	Material
252427:INFS:	STD:			AL

* Select one of our many color options, located on page 4

Note:

- Trim painted on outer surface or 360°.

Rockfon Infinity Pre-Packaged

Features

- Pre-finished, Standard Profile Infinity Trim and Corner Kits sold in pre-packaged quantities.
- Available in straight, standard 12' Trim lengths and standard 12" Corner Kit lengths; with square cut ends only.
- Select from three Trim heights in one of four standard colors; Corner Kits available in White only.

Trim - Standard Profile Straight, 12' Length								
01 White								
Dimension	Item #	Reference #	Pieces per Box	LF per Box	Grid Clip 249361 430.00		Splice Plate - 249358 414.00	
					per Piece	per Box	per Piece	per Box
2"	289253	8002.01	6	72	6	36	1	6
4"	289257	8004.01	6	72	6	36	2	12
6"	289261	8006.01	4	48	6	24	2	8
08 Black								
Dimension	Item #	Reference #	Pieces per Box	LF per Box	per Piece	per Box	per Piece	per Box
2"	252164	8002.08	6	72	6	36	1	6
4"	252168	8004.08	6	72	6	36	2	12
6"	252172	8006.08	4	48	6	24	2	8
44 Satin Silver								
Dimension	Item #	Reference #	Pieces per Box	LF per Box	per Piece	per Box	per Piece	per Box
2"	289255	8002.44	6	72	6	36	1	6
4"	289259	8004.44	6	72	6	36	2	12
6"	289263	8006.44	4	48	6	24	2	8
888 Winchester Gray								
Dimension	Item #	Reference #	Pieces per Box	LF per Box	per Piece	per Box	per Piece	per Box
2"	252166	8002.888	6	72	6	36	1	6
4"	252170	8004.888	6	72	6	36	2	12
6"	252174	8006.888	4	48	6	24	2	8

Corner Kit - Standard Profile Straight, 12" Length (each leg)								
01 White - See Color Note								
Dimension	Item #	Reference #	Kits per Box	LF per Box	Corner Splice Plate Inside - 249359 417.00 Outside - 249360 429.00		Splice Plate 249358 414.00	
					per Kit	per Box	per Kit	per Box
2"	284496	8002.01ICK	4	8	1	4	2	8
	284497	8002.01OCK	4	8	1	4	2	8
4"	284501	8004.01ICK	4	8	2	8	4	16
	284499	8004.01OCK	4	8	2	8	4	16
6"	284504	8006.01ICK	4	8	2	8	4	16
	284502	8006.01OCK	4	8	2	8	4	16

Note:

- Unpainted, galvanized splice plates/grid clips included with trim as listed in chart above.
- Additional accessories available.
- Rockfon will not break boxes. Contact Customer Service for more information at 1-800-323-7164 or cs@rockfon.com

Standard colors available:

Color Note:

- 01-White available in stock and ready to ship
- Trim finish available on outer surface only
- Pre-Packaged Corner Kit available in white only.



01 White



08 Black*



44 Satin Silver*



888
Winchester
Grey*

* Lead times may apply, contact Customer Service at 1-800-323-7164 or cs@rockfon.com

Standard colors:



01 White



08 Black



44 Satin Silver



888
Winchester
Grey

Premium colors:



Color-all



Custom
(color match)

Metallic colors:



795
Champagne
Metallic



796
Beige
Metallic



797
Iron Glimmer
Metallic



798
Copper
Metallic

Metalwood® Woodgrain Finishes:

(Shown for reference only - See footnote **)



650R
Maple**



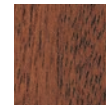
651R
Cherry**



652R
Pumpkin
Maple**



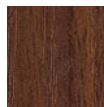
653R Oak**



654R Karri**



655R
Bamboo**



656R
Walnut**



401 Maple*



402 Oak*



403 Cherry*



404 Pumpkin
Maple*



405 Karri*



406 Walnut*

Woodscenes® Painted Finishes†:



800
Lazy Maple



801
Aged Teak



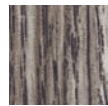
803
Burnished
Cherry



804
Sleek Cherry



805
Weathered Oak



806
Barnwood
Grey

* Coordinating solid color to match Metalwood Woodgrain Finishes.

** Metalwood Woodgrain Finishes not available for Rockfon Infinity; use coordinating solid color. See footnote *.

† Woodscenes Painted Finishes are a decorative powder coat finish that replicate real wood; variations in color and pattern will occur.

Note:

- Woodscenes grain direction is parallel to the length of the trim.

- See rockfon.com for more information on color options.

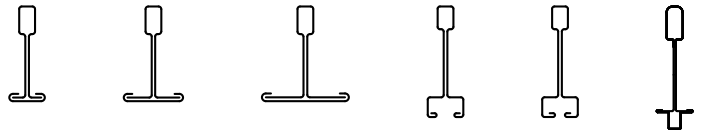
Colors shown are reproduced as close as possible to actual product color within the limitations of printing technology. Color chips are available upon request and should be reviewed before making a final selection. Variations in color matches of system components to ceiling panels can result from slight differences in texture, room lighting, painting process and subjectivity of observers.

Infinity Standard Suspension

Infinity Standard Profiles are compatible with:

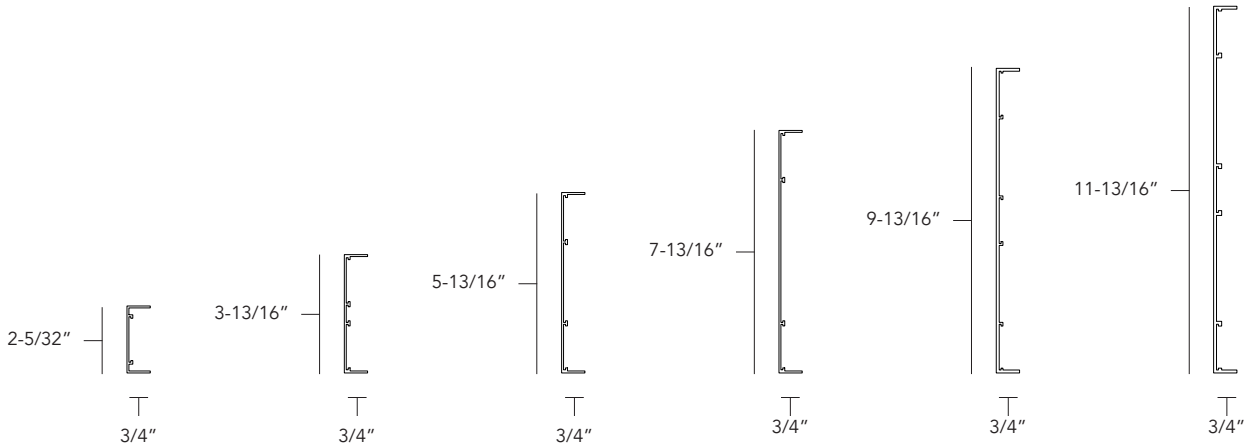
- Chicago Metallic Ceiling Suspension systems
- Rockfon Metal Ceiling suspension systems
- Industry standard T-Bar grid systems

See data sheets of Chicago Metallic Ceiling Suspension systems and Rockfon Metal Ceiling systems for more information.



Chicago Metallic Ceiling Suspension Profiles

Infinity Standard Profiles



**Infinity Standard
2" profile**

**Infinity Standard
4" profile**

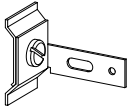
**Infinity Standard
6" profile**

**Infinity Standard
8" profile**

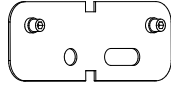
**Infinity Standard
10" profile**

**Infinity Standard
12" profile**

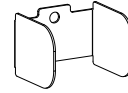
Infinity Standard Accessories



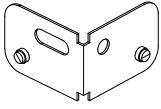
Grid Clip
(suspension to
Infinity Trim)
(Galvanized)
249361
430.00



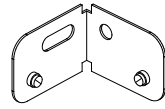
Splice Plate
(for square cut edge)
(Galvanized)
249358
414.00



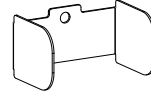
Paired Infinity Bracket - 2"
(2-1/4" actual dimension;
3/4" gap between trims)
(Galvanized)
249545
446.36.00



Corner Splice Plate
(Inside Corner)
(Galvanized)
249359
417.00



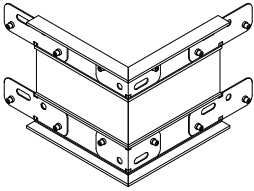
Corner Splice Plate
(Outside Corner)
(Galvanized)
249360
429.00



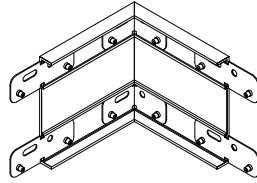
Paired Infinity Bracket - 3"
(2-7/8" actual dimension;
1-3/8" gap between trims)
(Galvanized)
249546
446.46.00

Note:

- For Paired Infinity Bracket finish option information, contact Rockfon Technical Services at 1-800-323-7164 or techservices@rockfon.com.

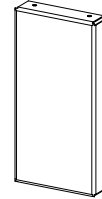


inside corner



outside corner

Corner Kit
(Factory mitered, 90°,
inside or outside corner;
available for all Infinity
Trim heights)
252594



Paired End Cap
(for 2" and 3"
Paired Infinity Brackets;
available for all Infinity
Trim heights)
252595

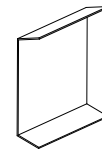
Note:

- Corner Kit available in Standard, Premium, Metallic and Woodscenes finishes.
- Kit includes: two - 12" straight trim pieces and Splice Plates. See chart below for Splice Plate quantity.

Note:

- Paired End Cap available in Standard, Premium, Metallic and Woodscenes finishes.

Grid Clip and Splice Plate Accessories Chart (accessories needed per Infinity Trim height - per 12' of Infinity Trim length)						
Accessory	Infinity Trim Height					
	2"	4"	6"	8"	10"	12"
Grid Clip						
430.00	6	6	6	6	6	6
Splice Plate - square cut edge						
414.00	1	2	2	2	3	3
414.00 (Corner Kit)	2	4	4	4	6	6
Corner Splice Plate						
417.00 - Inside	1	2	2	2	3	3
429.00 - Outside	1	2	2	2	3	3



Hold Down Insert
(steel - pre-finished)
249364
437.00

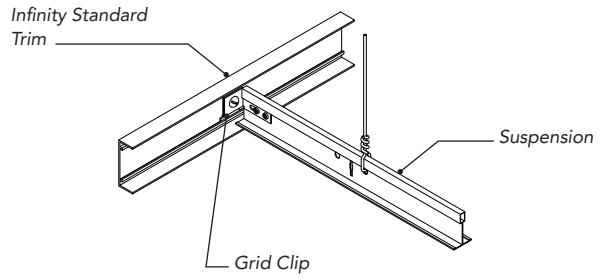
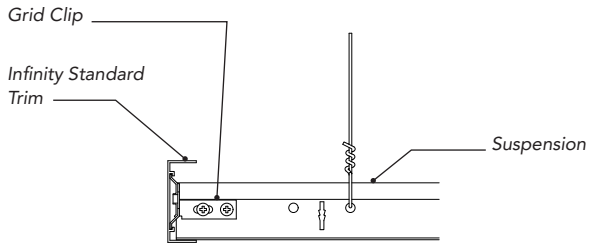
Note:

- Unpainted, galvanized Grid Clip 430.00 and Splice Plate 414.00 included with trim.
- Corner Splice Plate sold separately.

Infinity Standard Standard Details

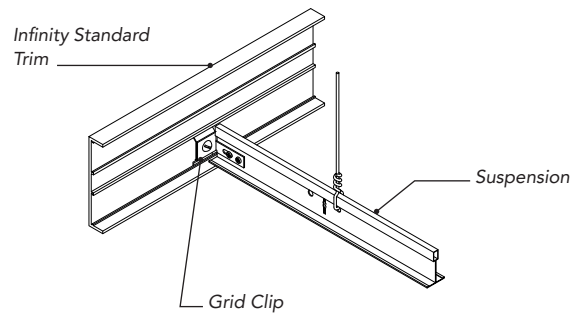
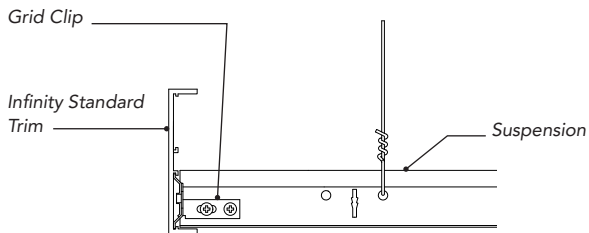
Suspension to Infinity Standard 2"

(Section View and Isometric View)



Suspension to Infinity Standard 4" (6", 8"* similar)

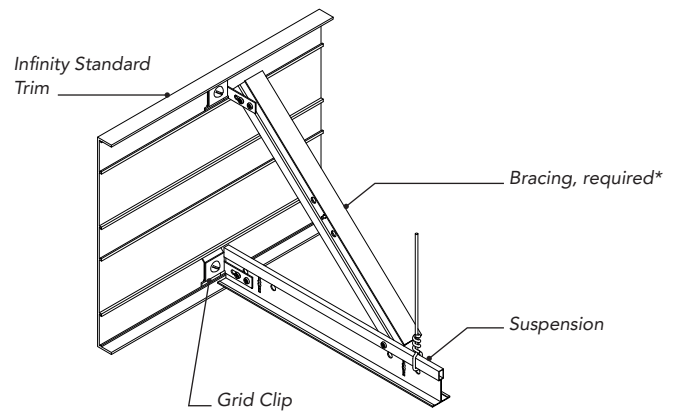
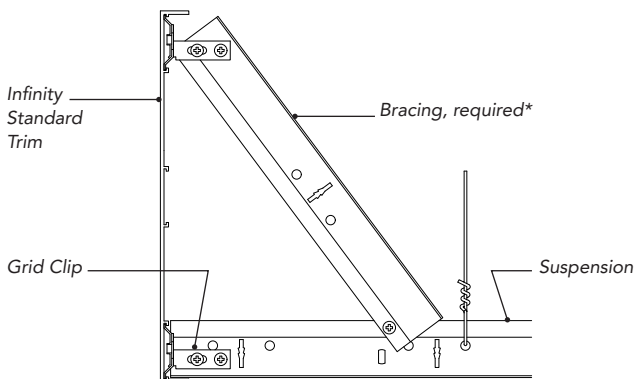
(Section View and Isometric View)



* Infinity Standard 8" profile requires bracing. See "Suspension to Infinity Standard 10"" for detail information.

Suspension to Infinity Standard 10" (12" similar)

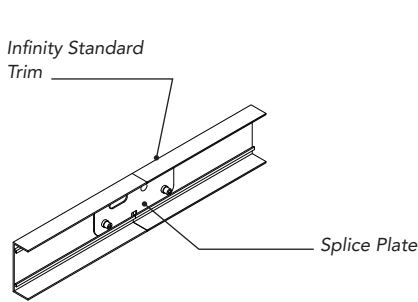
(Section View and Isometric View)



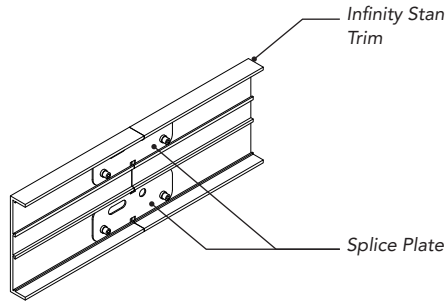
* Additional grid clips may be needed, for detail information contact Rockfon Technical Services at 1-800-323-7164 or techservices@rockfon.com.

Infinity Standard System Details

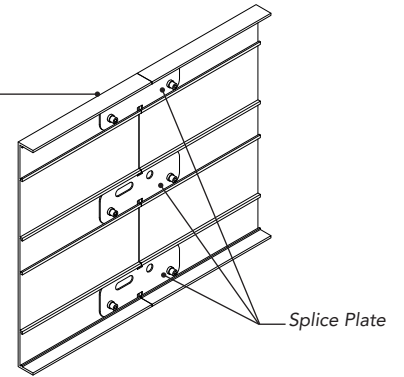
Infinity Standard 2"
Splice Plate (square cut edge)



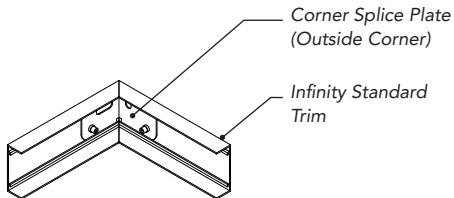
Infinity Standard 4" (6", 8" similar)
Splice Plate (square cut edge)



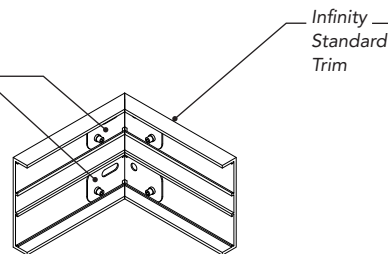
Infinity Standard 10" (12" similar)
Splice Plate (square cut edge)



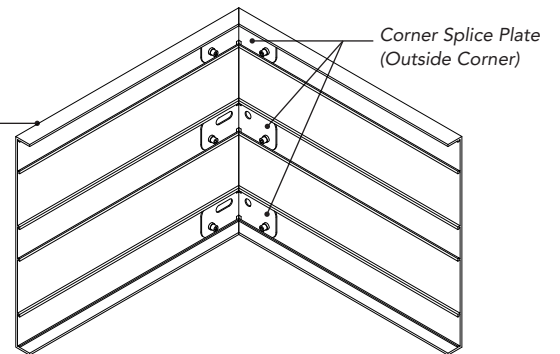
Outside Corner - field cut
Infinity Standard 2"
(Inside Corner similar)
(Factory mitered 90° corner kit available)
(see note)



Outside Corner - field cut
Infinity Standard 4" (6", 8" similar)
(Inside Corner similar)
(Factory mitered 90° corner kit available)
(see note)

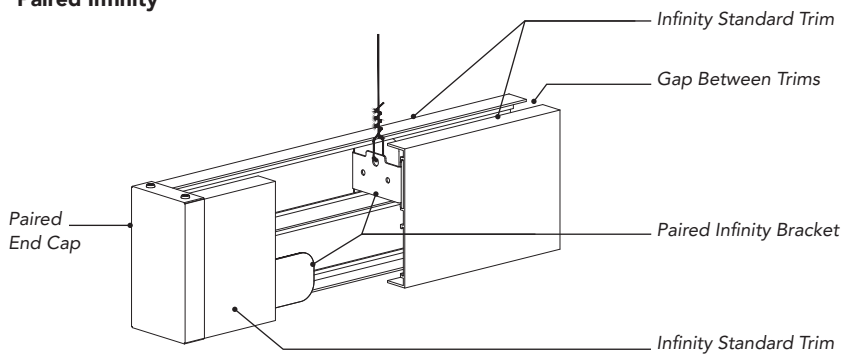


Outside Corner - field cut
Infinity Standard 10" (12" similar)
(Inside Corner similar)
(Factory mitered 90° corner kit available)
(see note)



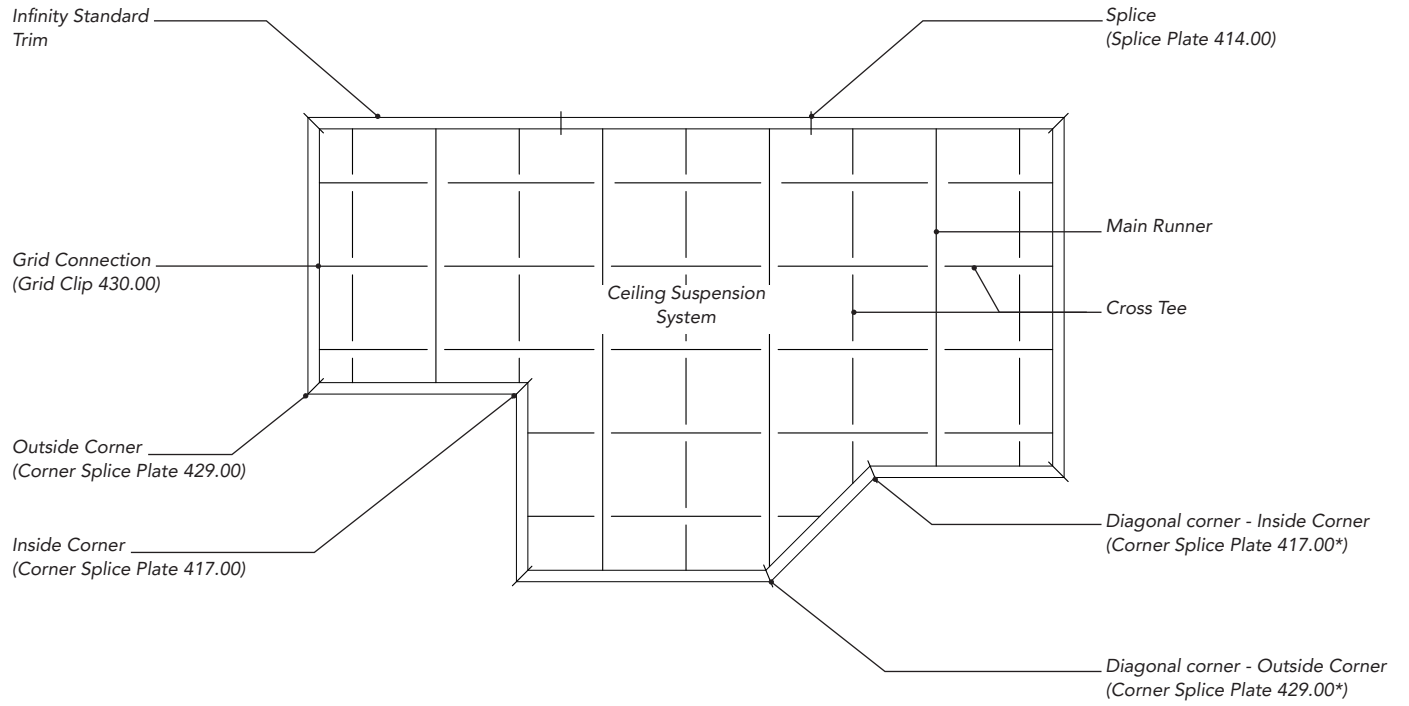
Note:
- Corners with an angle equal to or less than 40° must be truncated.

Paired Infinity



Infinity Standard System Details, continued

Reflected Ceiling Plan Example



* Field modify Corner Splice Plate to achieve desired angle greater than or less than 90°.



Material

Extruded Aluminum



Fire Performance

Surface burning characteristics:
UL723 (ASTM E84)
Flame Spread Index: 0
Smoke Developed Index
(UL Labeled): 0



Hygiene

Metal provides no sustenance
to microorganisms



Warranty

1-Year Limited
Product Warranty.
See rockfon.com



Environment

- Up to 85% recycled content
- 100% locally recyclable



Cleaning

- Damp Cloth

07162020

Rockfon

4849 S. Austin Ave.
Chicago, IL 60638 USA