

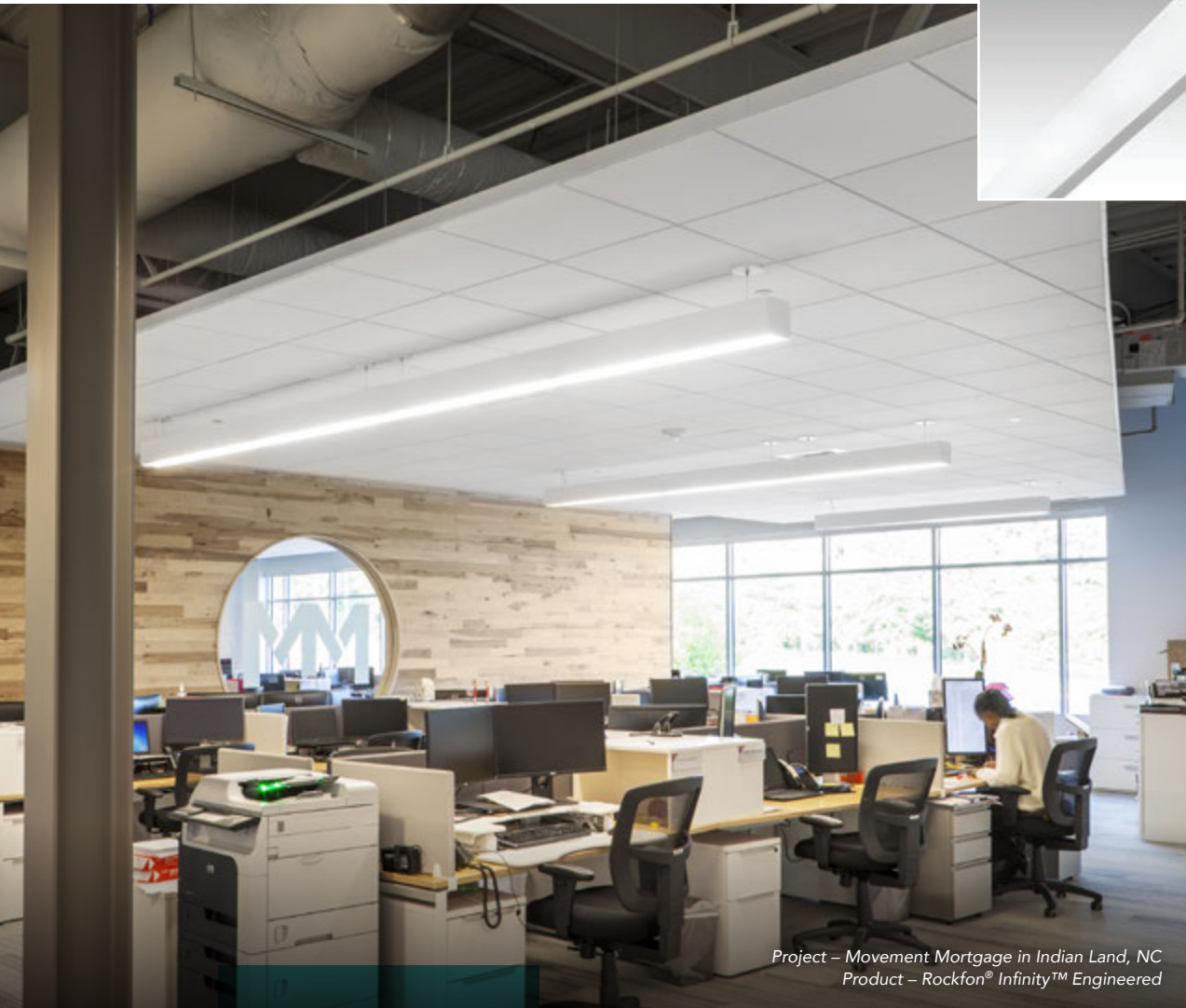
Rockfon® Infinity™ Engineered

Features & Benefits

- Finish edge trim for interior suspended ceiling perimeters
- Manufactured and finished in straight or curved lengths to designer specifications with square cut or mitered ends
- Variety of height and finish options available
- Integrates with Chicago Metallic® Ceiling Suspension, Rockfon Stone Wool Ceiling Panels, Rockfon Metal Ceiling systems and industry standard T-Bar grid

Applications

- Ceiling projections
- Free-floating islands
- Light coves
- Ceiling height transitions



Project – Movement Mortgage in Indian Land, NC
Product – Rockfon® Infinity™ Engineered

Rockfon® Infinity™ Engineered

LEED® V4 HIGHLIGHTS

Materials and Resources (MR)

- Waste Management Planning ✓
- Interiors Life Cycle Impact Reduction ✓
- Environmental Product Declarations ✓
- Sourcing of Raw Materials ✓
- Material Ingredients -
- Waste Management ✓

Indoor Environmental Quality (EQ)

- Low-Emitting Materials ✓
- Interior Lighting -
- Acoustic Performance -

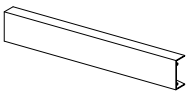

Recycled Content: up to 85%

Product Code Example: **252566:INFC:STD:10:403:AL**

Family Number & Name: 252566 Infinity™ Curved Dimension: 9-13/16" actual Material: Extruded Aluminum

252566:INFC: STD: 10: 403: AL

Detail: Infinity™ Engineered Standard Profile Color: Cherry

Family Number & Name	Detail	Dimension	Material	NRC	Fire Class	Light Reflectance	Low VOC
252565:INFE: Infinity™ Straight 	STD: Infinity™ Engineered Standard Profile	2: 2-5/32" actual 4: 3-13/16" actual 6: 5-13/16" actual 8: 7-13/16" actual 10: 9-13/16" actual 12: 11-13/16" actual	AL: Extruded Aluminum	-	A	-	✓
252566:INFC: Infinity™ Curved 							

Note:

- Available Straight or Curved:
 - Straight - standard 12' lengths or designer specified lengths; square cut ends standard; factory-cut miters available
 - Curved - curved in horizontal axis; minimum radius is 18"
- Unpainted, galvanized Grid Clip and Splice Plate included with trim. See "Grid Clip and Splice Plate Accessories Chart" on Accessories Page for included quantity.
- Submittal drawings required for all Engineered Infinity product prior to quote.

Choose from the above product options to build your product code

Family Number & Name	Detail	Dimension	Color*	Material
	STD:			AL

* Select one of our many color options, located on page 3

Note:

- Trim painted on outer surface or 360°.

Standard colors:



01 White



08 Black



44 Satin Silver



888
Winchester
Grey

Premium colors:

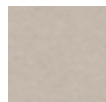


Color-all

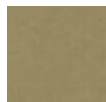


Custom
(color match)

Metallic colors:



795
Champagne
Metallic



796
Beige
Metallic



797
Iron Glimmer
Metallic



798
Copper
Metallic

Metalwood® Woodgrain Finishes:
(Shown for reference only - See footnote **)



650R
Maple**



651R
Cherry**



652R
Pumpkin
Maple**



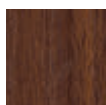
653R Oak**



654R Karri**



655R
Bamboo**



656R
Walnut**



401 Maple*



402 Oak*



403 Cherry*



404 Pumpkin
Maple*



405 Karri*



406 Walnut*

Woodscenes® Painted Finishes†:



800
Lazy Maple



801
Aged Teak



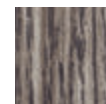
803
Burnished
Cherry



804
Sleek Cherry



805
Weathered Oak



806
Barnwood
Grey

* Coordinating solid color to match Metalwood Woodgrain Finishes.

** Metalwood Woodgrain Finishes not available for Rockfon Infinity; use coordinating solid color. See footnote *.

† Woodscenes Painted Finishes are a decorative powder coat finish that replicate real wood; variations in color and pattern will occur.

Note:

- Woodscenes grain direction is parallel to the length of the trim.

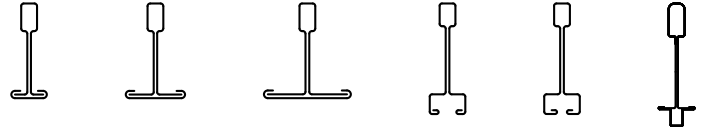
- See rockfon.com for more information on color options.

Colors shown are reproduced as close as possible to actual product color within the limitations of printing technology. Color chips are available upon request and should be reviewed before making a final selection. Variations in color matches of system components to ceiling panels can result from slight differences in texture, room lighting, painting process and subjectivity of observers.

Infinity Engineered Suspension

Infinity Engineered Straight Standard Profile and Infinity Engineered Curved Standard Profile are compatible with:

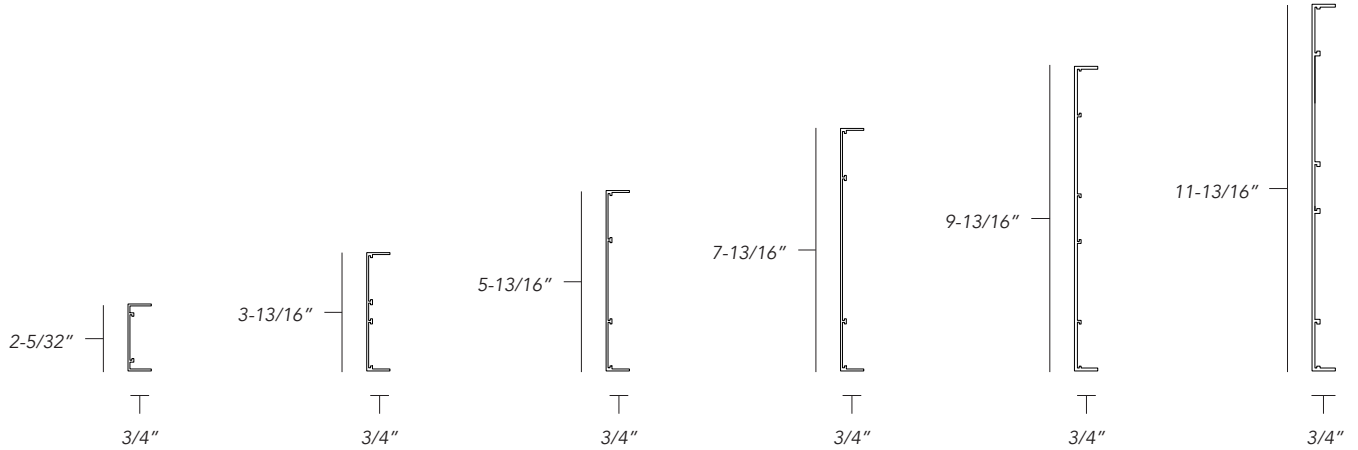
- Chicago Metallic Ceiling Suspension systems
- Rockfon Metal Ceiling suspension systems
- Industry standard T-Bar grid systems



Chicago Metallic Ceiling Suspension Profiles

See data sheets of Chicago Metallic Ceiling Suspension systems and Rockfon Metal Ceiling systems for more information.

Infinity Engineered Profiles



**Infinity Engineered
2" profile**

**Infinity Engineered
4" profile**

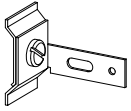
**Infinity Engineered
6" profile**

**Infinity Engineered
8" profile**

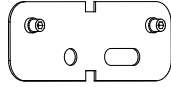
**Infinity Engineered
10" profile**

**Infinity Engineered
12" profile**

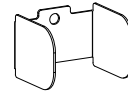
Infinity Engineered Accessories



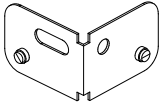
Grid Clip
(suspension to
Infinity Trim)
(Galvanized)
249361
430.00



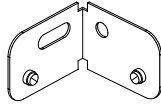
Splice Plate
(for square cut edge)
(Galvanized)
249358
414.00



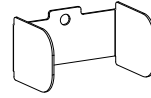
Paired Infinity Bracket - 2"
(2-1/4" actual dimension;
3/4" gap between trims)
(Galvanized)
249545
446.36.00



Corner Splice Plate
(Inside Corner)
(Galvanized)
249359
417.00



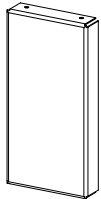
Corner Splice Plate
(Outside Corner)
(Galvanized)
249360
429.00



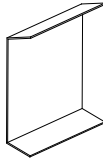
Paired Infinity Bracket - 3"
(2-7/8" actual dimension;
1-3/8" gap between trims)
(Galvanized)
249546
446.46.00

Note:

- For Paired Infinity Bracket finish option information, contact Rockfon Technical Services at 1-800-323-7164 or techservices@rockfon.com.



Paired End Cap
(for 2" and 3"
Paired Infinity Brackets;
available for all Infinity
Trim heights)
252595



Hold Down Insert
(steel - prefinished)
249364
437.00

Note:

- Paired End Cap available in Standard, Premium, Metallic and Woodscenes finishes.

Grid Clip and Splice Plate Accessories Chart (accessories needed per Infinity Trim height - per 12' of Infinity Trim length)						
Accessory	Infinity Trim Height					
	2"	4"	6"	8"	10"	12"
Grid Clip						
430.00	6	6	6	6	6	6
Splice Plate - square cut edge						
414.00	1	2	2	2	3	3
Corner Splice Plate						
417.00 - Inside	1	2	2	2	3	3
429.00 - Outside	1	2	2	2	3	3

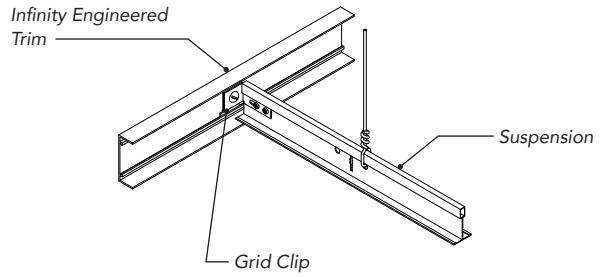
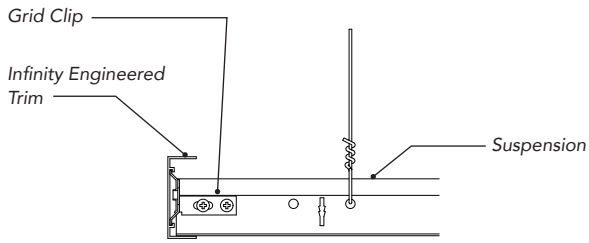
Note:

- Unpainted, galvanized Grid Clip 430.00 and Splice Plate 414.00 included with trim.
- Corner Splice Plate sold separately.

Infinity Engineered Standard Details

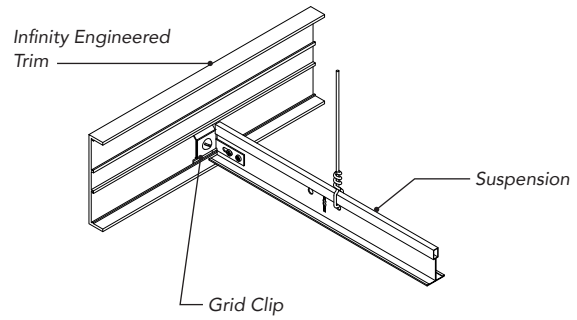
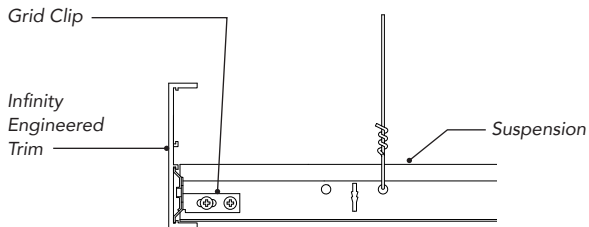
Suspension to Infinity Engineered 2"

(Section View and Isometric View)



Suspension to Infinity Engineered 4" (6", 8"* similar)

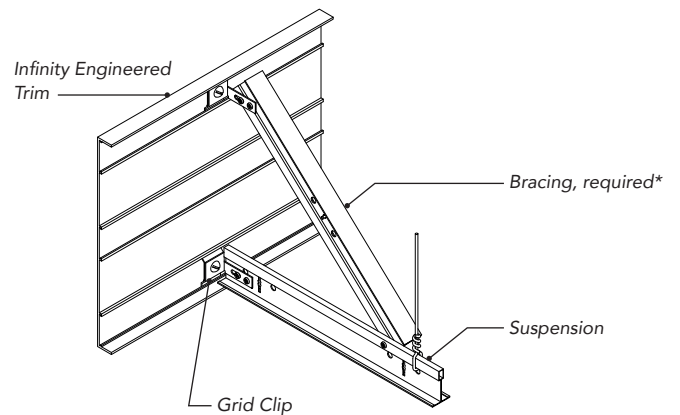
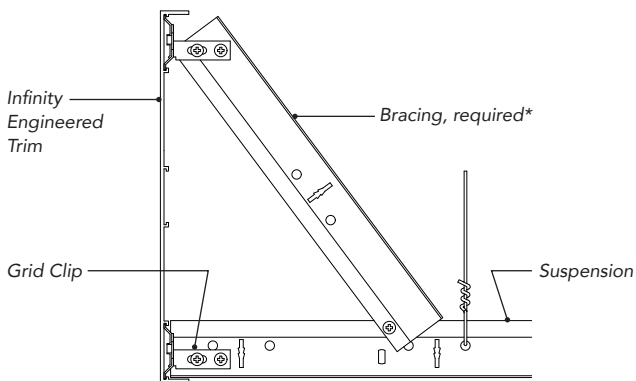
(Section View and Isometric View)



* Infinity Engineered 8" profile requires bracing. See "Suspension to Infinity Engineered 10"" for detail information.

Suspension to Infinity Engineered 10" (12" similar)

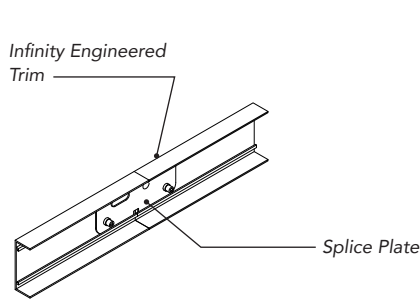
(Section View and Isometric View)



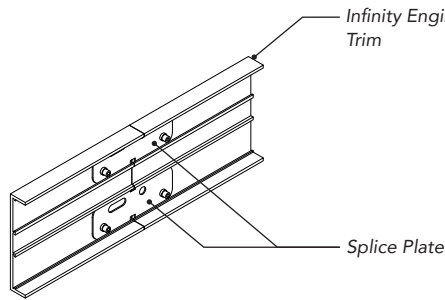
* Additional grid clips may be needed, for detail information contact Rockfon Technical Services at 1-800-323-7164 or techservices@rockfon.com.

Infinity Engineered System Details

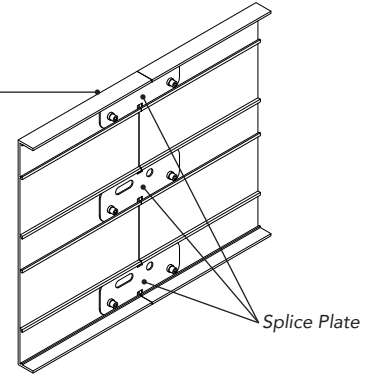
Infinity Engineered 2"
Splice Plate (square cut edge)



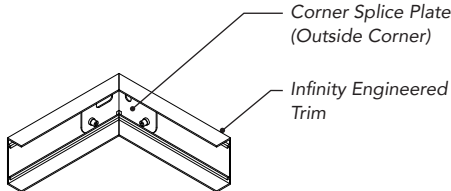
Infinity Engineered 4" (6", 8" similar)
Splice Plate (square cut edge)



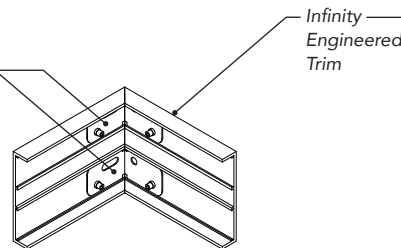
Infinity Engineered 10" (12" similar)
Splice Plate (square cut edge)



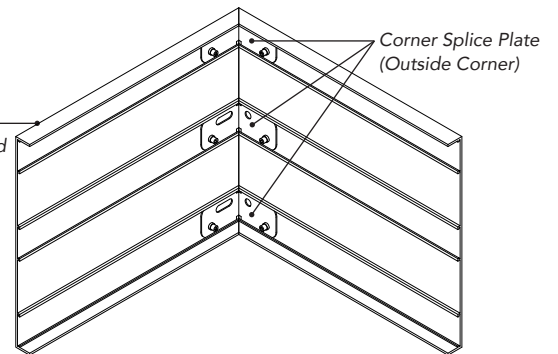
Outside Corner
Infinity Engineered 2"
(Inside Corner similar)
(see note)



Outside Corner
Infinity Engineered 4" (6", 8" similar)
(Inside Corner similar)
(see note)

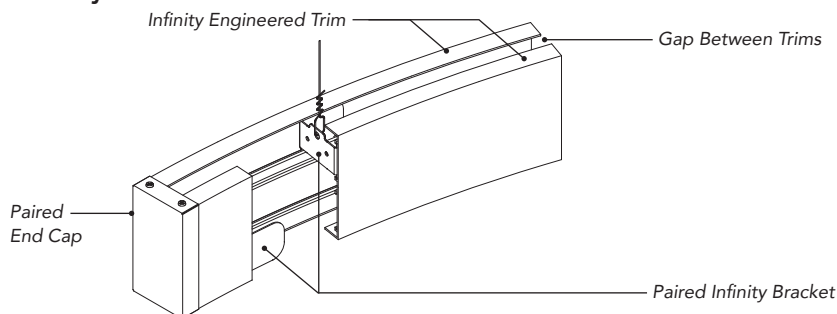


Outside Corner
Infinity Engineered 10" (12" similar)
(Inside Corner similar)
(see note)



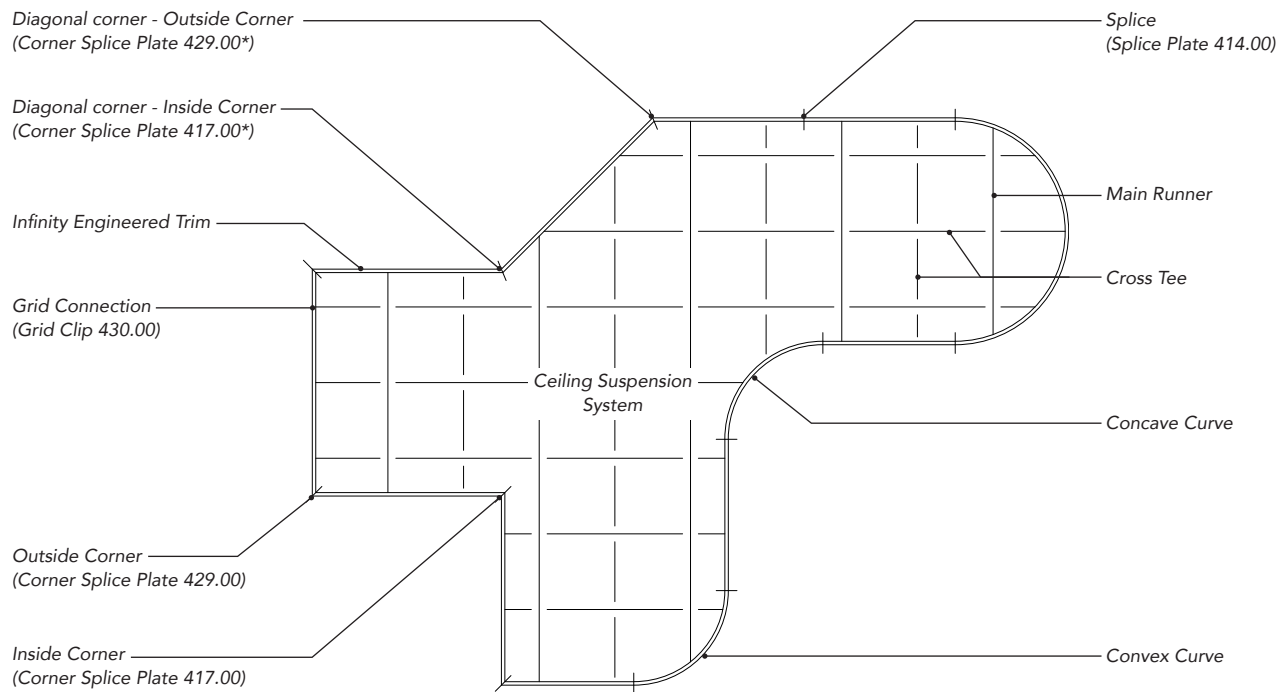
Note:
- Corners with an angle equal to or less than 40° must be truncated.

Paired Infinity



Infinity Engineered System Details, continued

Reflected Ceiling Plan Example



* Field modify Corner Splice Plate to achieve desired angle greater than or less than 90°.



Material

Extruded Aluminum



Fire Performance

Surface burning characteristics:
UL723 (ASTM E84)
Flame Spread Index: 0
Smoke Developed Index
(UL Labeled): 0



Hygiene

Metal provides no sustenance
to microorganisms



Warranty

1-Year Limited
Product Warranty.
See rockfon.com



Environment

- Up to 85% recycled content
- 100% locally recyclable



Cleaning

- Damp Cloth

080819

Rockfon

4849 S. Austin Ave.
Chicago, IL 60638 USA