

## Rockfon® Infinity™ D

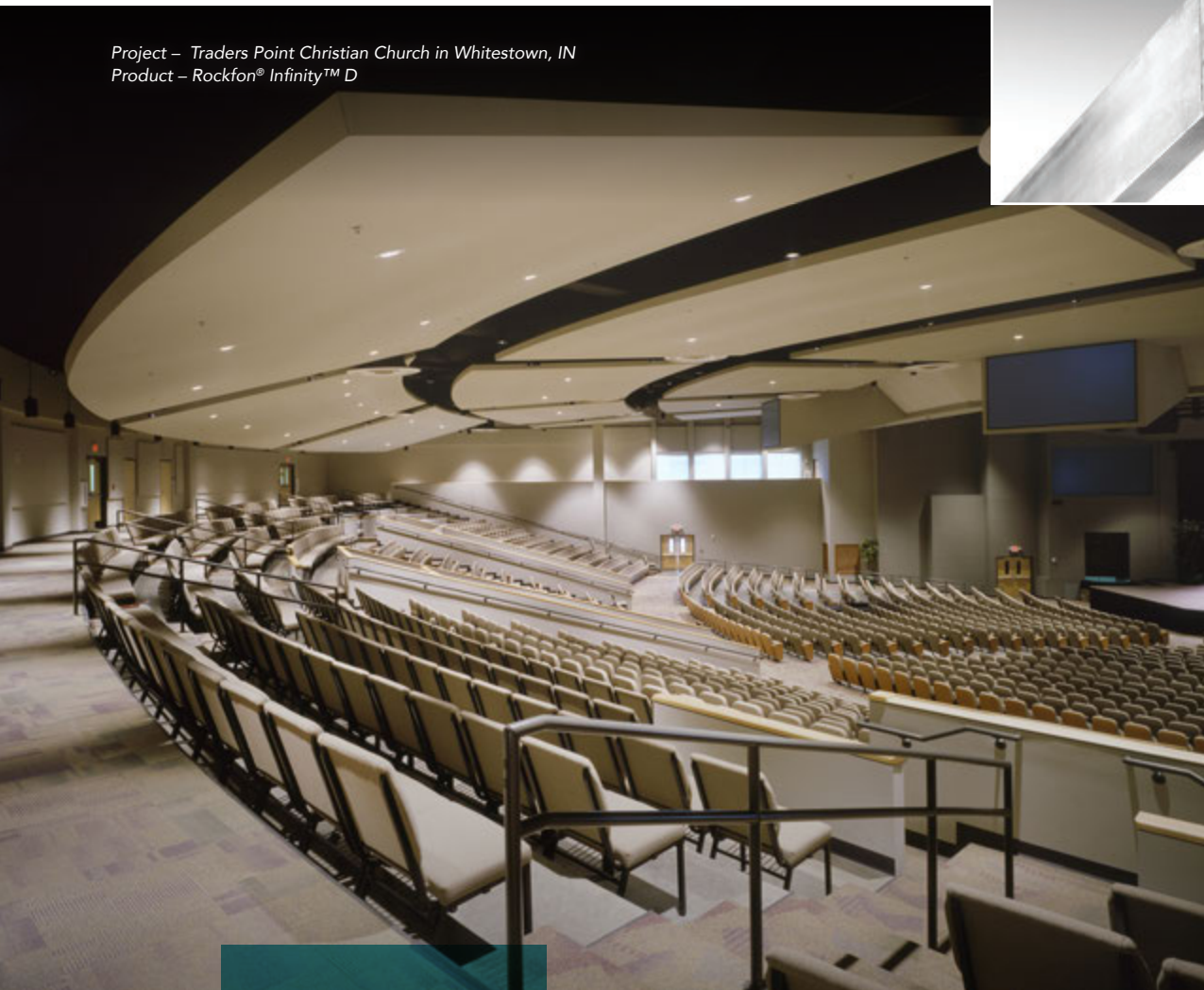
### Features & Benefits

- Finish edge trim with integral, grooved mud flap for interior, suspended drywall ceiling perimeters
- Accepts up to 3/4" gypsum panels
- Primed for adhesion of joint compound and paint
- Available straight or curved to designer specifications
- Integrates with Chicago Metallic® Drywall Suspension systems and industry standard drywall suspension systems

### Applications

- Ceiling projections
- Free-floating islands
- Light coves
- Ceiling height transitions

Project – Traders Point Christian Church in Whitestown, IN  
Product – Rockfon® Infinity™ D



# Rockfon® Infinity™ D

## LEED® V4 HIGHLIGHTS

### Materials and Resources (MR)

- Waste Management Planning ✓
- Interiors Life Cycle Impact Reduction ✓
- Environmental Product Declarations ✓
- Sourcing of Raw Materials ✓
- Material Ingredients -
- Waste Management ✓

### Indoor Environmental Quality (EQ)

- Low-Emitting Materials ✓
- Interior Lighting -
- Acoustic Performance -

**Recycled Content:** up to 85%

Product Code Example: **252566:INFC:DRY:6:AL**

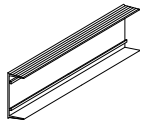
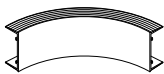
Family Number & Name:  
252566 Infinity™ Curved

Dimension:  
5-13/16" actual

**252566:INFC: DRY: 6: AL**

Detail: Infinity™ D  
Drywall Flange Profile

Material:  
Extruded Aluminum

Family Number & Name	Detail	Dimension	Material	NRC	Fire Class	Light Reflectance	Low VOC
<b>252565:INFE:</b> Infinity™ Straight 	<b>DRY:</b> Infinity™ D Drywall Flange Profile	<b>4:</b> 3-13/16" actual <b>6:</b> 5-13/16" actual <b>8:</b> 7-13/16" actual	<b>AL:</b> Extruded Aluminum	-	A	-	✓
<b>252566:INFC:</b> Infinity™ Curved 							

**Note:**

- Available Straight or Curved:
  - Straight - standard 12' lengths or designer specified lengths; square cut ends standard; factory-cut miters available
  - Curved - curved in horizontal axis; minimum radius is 18"
- Unpainted, galvanized Grid Clip and Splice Plate included with trim. See "Grid Clip and Splice Plate Accessories Chart" on Accessories Page for included quantity.
- Submittal drawings required for curved Infinity product prior to quote.

**Choose from the above product options to build your product code**

Family Number & Name	Detail	Dimension	Material
	DRY:		AL

**Note:**

- Infinity D primed on outer surface for joint compound and paint adhesion.

## Infinity D Suspension

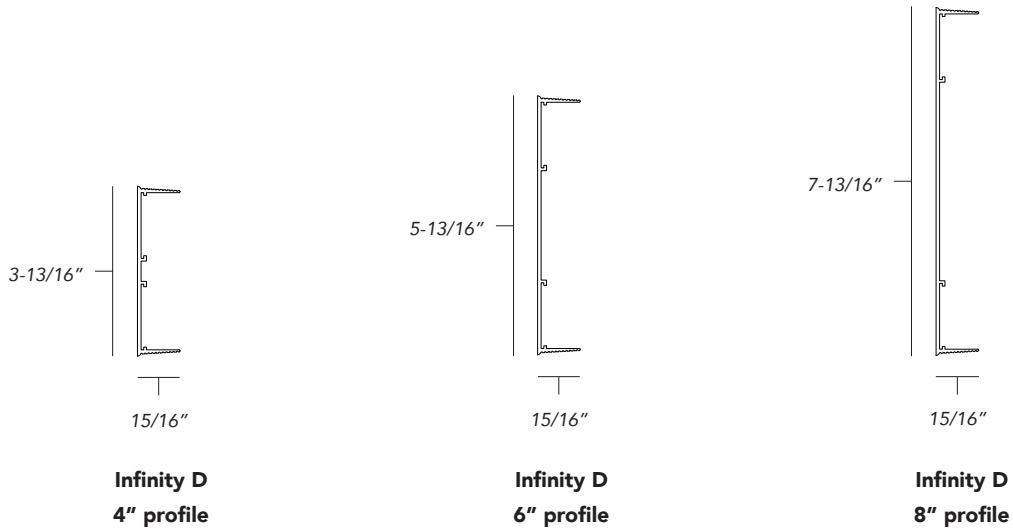
Infinity D Drywall Flange Straight Profile and  
Infinity D Drywall Flange Curved Profile

are compatible with:

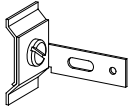
- Chicago Metallic Drywall Suspension systems
- Industry standard drywall suspension systems

See the data sheets of Chicago Metallic Drywall Suspension systems for more information.

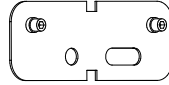
## Infinity D Profiles



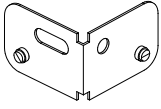
## Infinity D Accessories



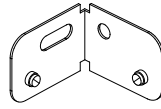
Grid Clip  
(suspension to  
Infinity Trim)  
(Galvanized)  
249361  
430.00



Splice Plate  
(for square cut edge)  
(Galvanized)  
249358  
414.00



Corner Splice Plate  
(Inside Corner)  
(Galvanized)  
249359  
417.00



Corner Splice Plate  
(Outside Corner)  
(Galvanized)  
249360  
429.00

Grid Clip and Splice Plate Accessories Chart (accessories needed per Infinity Trim height - per 12' of Infinity Trim length)			
Accessory	Infinity Panel Depth		
	4"	6"	8"
<b>Grid Clip</b>			
430.00	6	6	6
<b>Splice Plate - square cut edge</b>			
414.00	2	2	2
<b>Corner Splice Plate</b>			
417.00 - Inside	2	2	2
429.00 - Outside	2	2	2

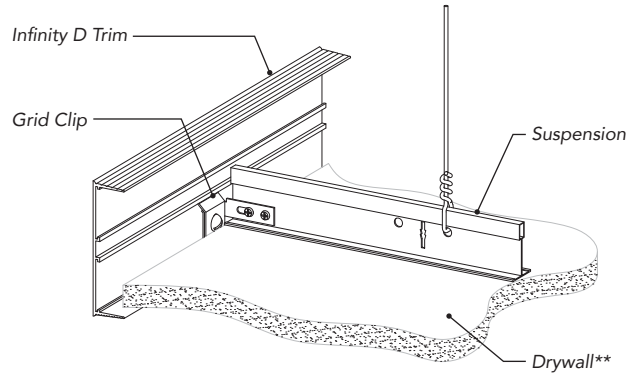
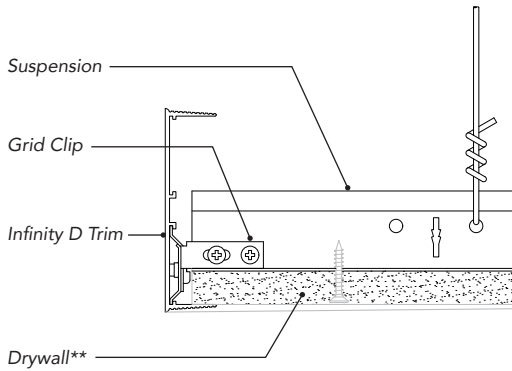
**Note:**

- Unpainted, galvanized Grid Clip 430.00 and Splice Plate 414.00 included with trim.
- Corner Splice Plate sold separately.

## Infinity D Standard Details

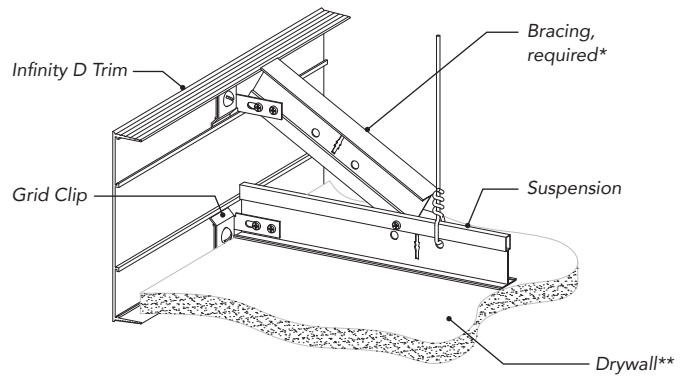
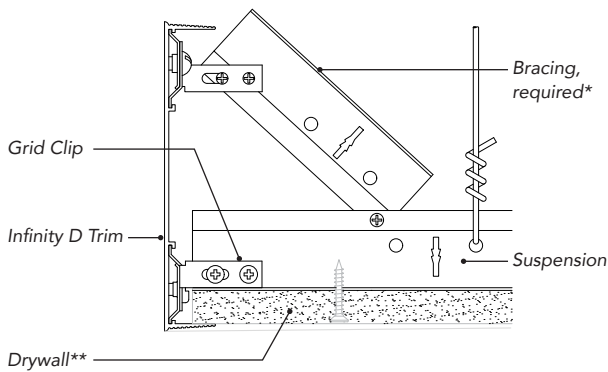
### Suspension to Infinity D 4" (6" similar)

(Section View and Isometric View)



### Suspension to Infinity D 8"

(Section View and Isometric View)

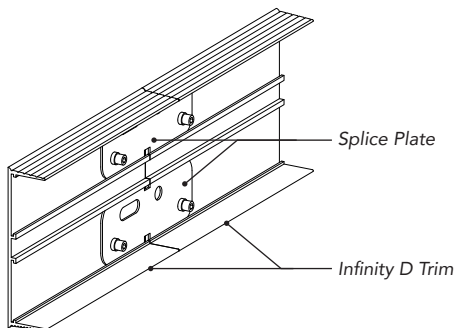


\* Additional grid clips may be needed, for detail information contact Rockfon Technical Services at 1-800-323-7164 or techservices@rockfon.com.

## Infinity D System Details

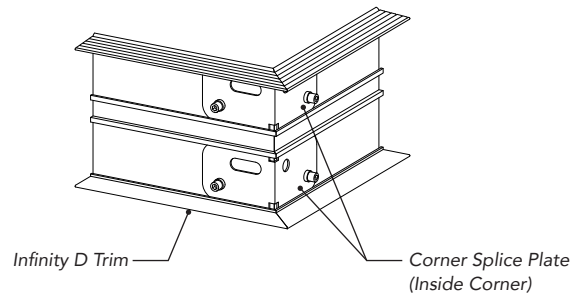
### Splice Plate

(square cut edge)



### Inside Corner

(Outside Corner similar)

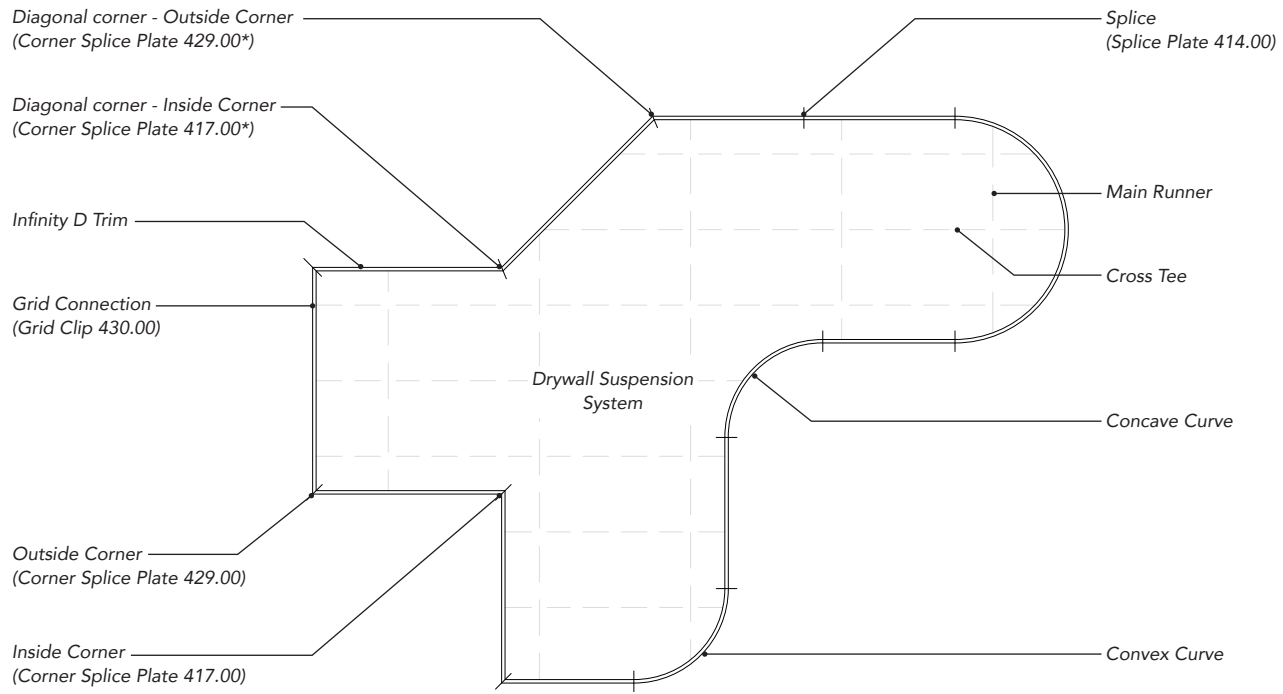


\*\* Drywall and fastener not included, shown for detail purpose only.

Note:  
- Corners with an angle equal to or less than 40° must be truncated.

# Infinity D System Details, continued

## Reflected Ceiling Plan Example



\* Field modify Corner Splice Plate to achieve desired angle greater than or less than 90°.



## Material

Extruded Aluminum



### Fire Performance

Surface burning characteristics:  
UL723 (ASTM E84)  
Flame Spread Index: 0  
Smoke Developed Index  
(UL Labeled): 0



### Hygiene

Metal provides no sustenance  
to microorganisms



### Warranty

1-Year Limited  
Product Warranty.  
See [rockfon.com](http://rockfon.com)



### Environment

- Up to 85% recycled content
- 100% locally recyclable



### Cleaning

- Damp Cloth

080819

## Rockfon

4849 S. Austin Ave.  
Chicago, IL 60638 USA